

PERFORMANCE DATA SHEET NEMA PREMIUM NR CAN NEMA 12 - 12

Catalogue #: **MPOP-28**

| HP | kW | Voltage | S.F. @ 60Hz | EFF. | P.F. | Frame | Design | L.R. Amps |
|-----|------|---------|-------------|-------|------|-------|--------|-----------|
| 7.5 | 5.60 | 575 | 1.15 | 91.0% | 0.74 | 254T | B | 50 |

| 60 Hz | | | | | | | | |
|-------|-----|-----|-----|-----|-----|------|------|----------|
| FLA | | | | | | | Code | F.L. RPM |
| 208 | 230 | 416 | 460 | 480 | 575 | 600 | | |
| / | / | / | / | / | 8.3 | 7.95 | H | 1185 |

| 50 Hz | | | | | | | | |
|-------|-----|-----|-------------|------------|--------------|------|----------|--|
| FLA | | | S.F. @ 50Hz | Efficiency | Power Factor | Code | F.L. RPM | |
| 190 | 380 | 415 | | | | | | |
| / | / | / | / | / | / | / | / | |

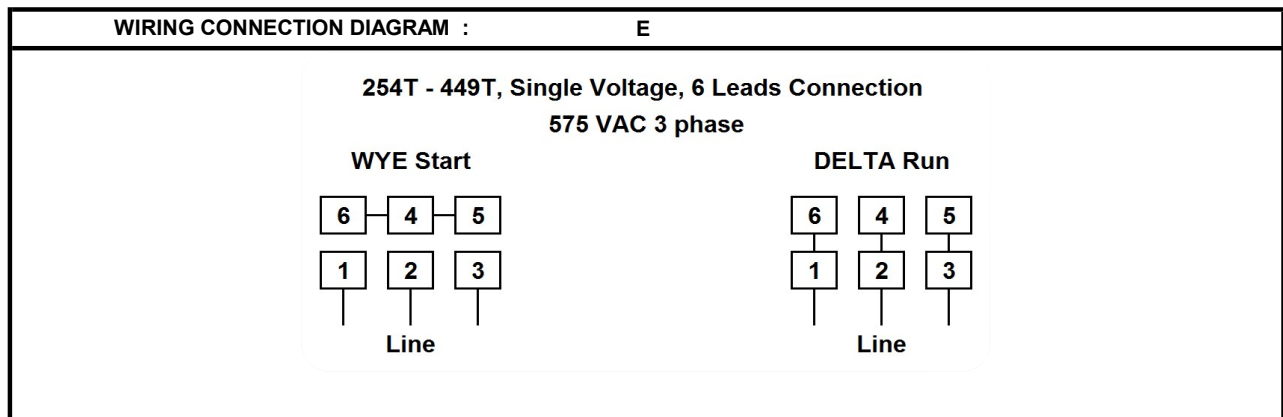
| Wgt. Lbs | PH | Duty | Insul. Class | Amb. | Elevation | Temp. Rise° C |
|----------|----|-------|--------------|------|-----------------|---------------|
| 272 | 3 | Cont. | F | 40°C | 1000M (3300 Ft) | < 80 |

| % Efficiency | | % Power Factor | | Torque | | Winding Resist. Ω | Safe Cold Start (Secs) |
|--------------|-------|----------------|------|------------------|------|-------------------|------------------------|
| Full Load: | 91.0% | Full Load: | 0.74 | Full Load Ft/Lbs | 33.2 | | |
| 3/4 Load: | 91.0% | 3/4 Load: | 0.66 | Locked Rotor % | 185 | | |
| 1/2 Load: | 89.5% | 1/2 Load: | 0.53 | Break Down % | 280 | | |

| Rotor Inertia Wk2 Lb-Ft2 | Max Load Inertia Wk2 Lb-Ft2 | Shaft Material | Frame Material | DE Bracket Type | ODE Bracket Type | Enclosure | NEMA Rating | Lead Wire Size |
|--------------------------|-----------------------------|----------------|----------------|-----------------|------------------|-----------|-------------|----------------|
| 1.92 | 150 | Standard | Cast Iron | Standard | Standard | ODP | IP23 | 14 AWG |

| Ball Bearings | | Grease | Mount Type | Orientation | Paint | Sound Pressure @ 3FT | Sound Power |
|---------------|------|-----------------|------------|-------------|-------|----------------------|-------------|
| DE | ODE | | | | | | |
| 6309 | 6309 | Mobil PolyrexEm | Rigid | Horizontal | Green | 65 | 75 |

| Inverter Duty. Motor meets MG1 parts 31.4.4.2 | Constant Torque Range | Variable Torque Range | Constant HP RPM |
|--|-----------------------|-----------------------|-----------------|
| | 10:1 | 20:1 | 1800 |

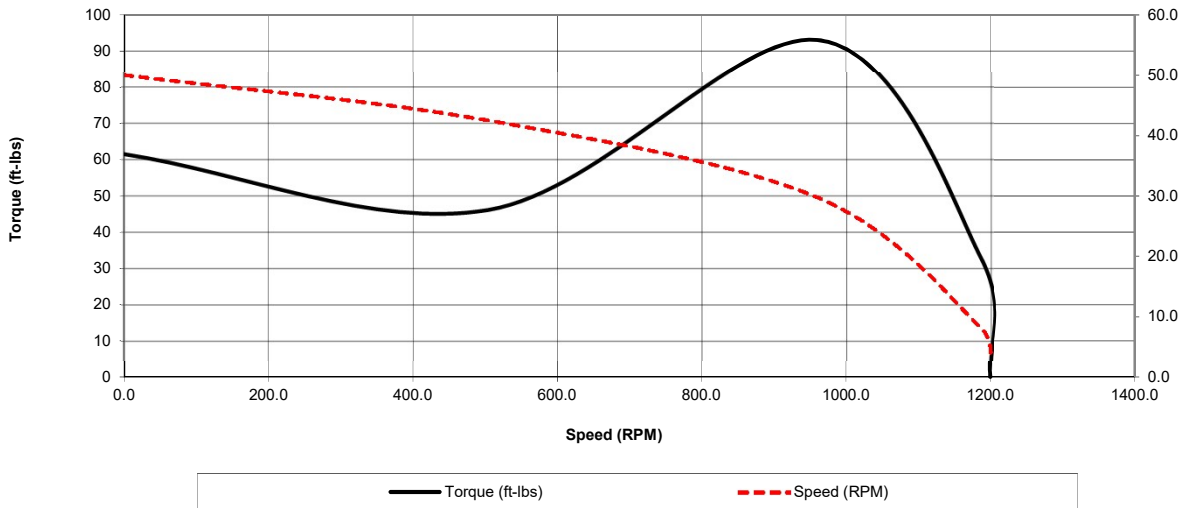


Date: 2020-02-17
 Customer: _____
 Contact: _____
 Submittee: J.C. Lavallée

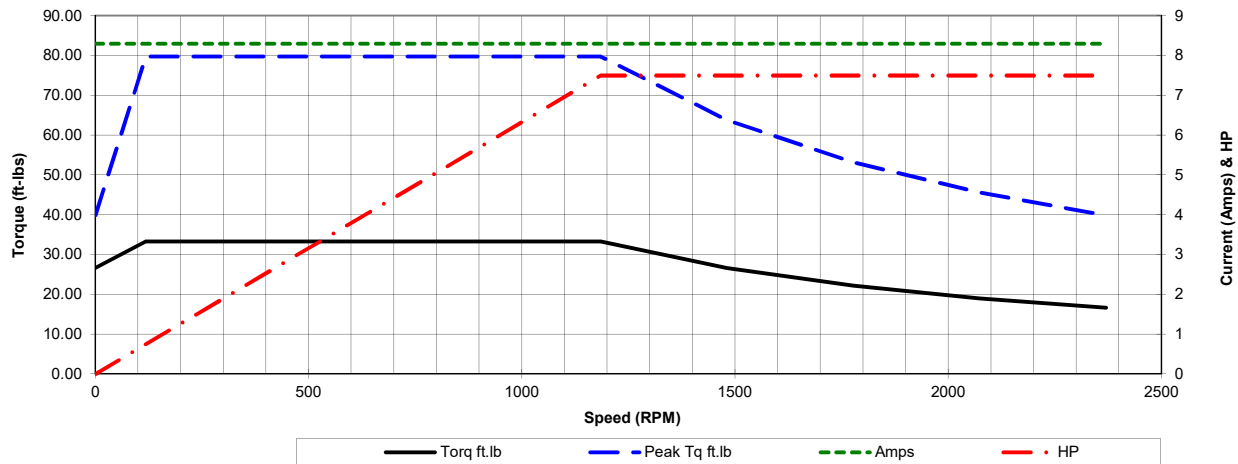
Catalogue #: **MPOP-28**

| NEMA PREMIUM NR CAN NEMA 12 - 12 | | | | | | | | | | |
|----------------------------------|--------------|---------|-----------|------------|-----------|--------------------------------------|---------|----------------|------------------|---------------|
| HP | VAC | RPM | Enclosure | Frame | Frequency | Design | Poles | LR Code Letter | Insulation Class | Temp. Rise °C |
| 7.5 | 575 | 1185 | ODP | 254T | 60 | B | 6 | H | F | < 80 |
| | 0Hz | 6Hz | 15Hz | 30Hz | 45Hz | 60Hz | 75Hz | 90Hz | 105Hz | 120Hz |
| Amps | 8.3 | 8.3 | 8.3 | 8.3 | 8.3 | 8.3 | 8.3 | 8.3 | 8.3 | 8.3 |
| RPM | 0 | 118.5 | 296.25 | 592.5 | 888.75 | 1185 | 1481.25 | 1777.5 | 2073.75 | 2370 |
| Torq ft.lb | 26.59 | 33.24 | 33.24 | 33.24 | 33.24 | 33.24 | 26.59 | 22.16 | 18.99 | 16.62 |
| Peak Tq ft.lb | 39.89 | 79.78 | 79.78 | 79.78 | 79.78 | 79.78 | 63.82 | 53.18 | 45.59 | 39.89 |
| HP | 0 | 0.8 | 1.9 | 3.8 | 5.6 | 7.5 | 7.5 | 7.5 | 7.5 | 7.5 |
| | Locked Rotor | Pull-Up | Breakdown | Rated Load | Idle | Duty | S. F. | Ambient | Elevation | dBA @ 1M |
| Speed (RPM) | 0.0 | 504 | 960 | 1185 | 1200 | Continuous | 1.15 | 40°C | 3300 ft | 65 |
| Current (Amps) | 50.0 | 42.5 | 29.8 | 8.3 | 3.2 | VFD Rating: Meets MG1 parts 31.4.4.2 | | | | |
| Torque (ft-lbs) | 61.5 | 46.1 | 93.1 | 33.2 | 0.0 | C.T. | 10:1 | V.T. | 20:1 | |

Motor Speed Data



Motor Torque Capability vs RPM





Date: 2020-02-17
 Customer: _____
 Contact: _____
 Submittee: J.C. Lavallée

Catalogue #: **MPOP-28**

| NEMA PREMIUM NR CAN NEMA 12 - 12 | | | | | | | | | | |
|----------------------------------|--------------|---------|-----------|------------|-----------|--------------------------------------|--------|----------------|------------------|---------------|
| HP | VAC | RPM | Enclosure | Frame | Frequency | Design | Poles | LR Code Letter | Insulation Class | Temp. Rise °C |
| 7.5 | 575 | 1185 | ODP | 254T | 60 | B | 6 | H | F | < 80 |
| Load % | 0% | 25% | 50% | 75% | 100% | 125% | 150% | | | |
| Amps | 3.15 | 3.54 | 4.91 | 6.48 | 8.30 | 10.29 | 11.75 | | | |
| Torq ft/lbs | 0 | 8.23 | 16.52 | 24.85 | 33.24 | 41.68 | 50.18 | | | |
| RPM | 0 | 1196.25 | 1192.5 | 1188.75 | 1185 | 1181.25 | 1177.5 | | | |
| Eff | 0 | 84.32 | 89.50 | 91.00 | 91.00 | 91.00 | 91.00 | | | |
| PF | 0 | 47 | 53 | 66 | 74 | 75 | 78.8 | | | |
| | Locked Rotor | Pull-Up | Breakdown | Rated Load | Idle | Duty | S. F. | Ambient | Elevation | dBA @ 1M |
| Speed (RPM) | 0 | 504 | 960 | 1185 | 1200 | Continuous | 1.15 | 40°C | 3300 ft | 65 |
| Current (Amps) | 50 | 42.5 | 29.8 | 8.3 | 3.154 | VFD Rating: Meets MG1 parts 31.4.4.2 | | | | |
| Torque (ft-lbs) | 61.49 | 46.12 | 93.07 | 33.24 | 0.0 | C.T. | 10:1 | V.T. | 20:1 | |

